

REV.	ECN NO.	DATE

NOTE:

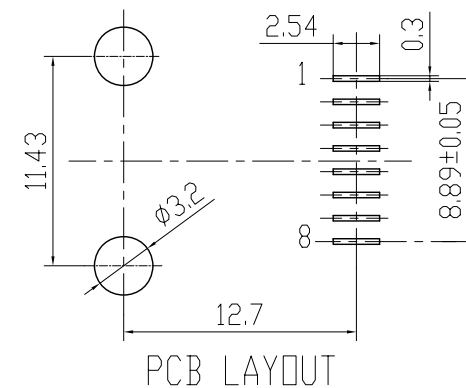
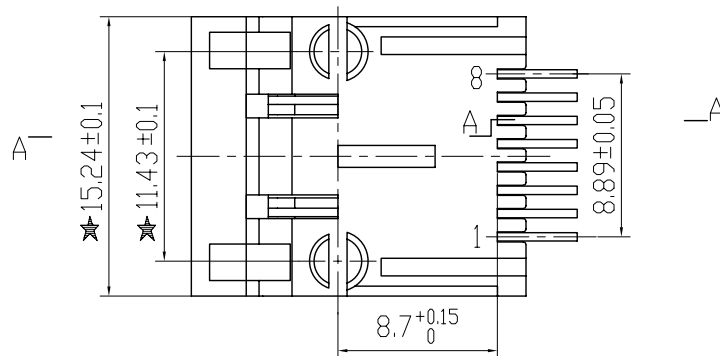
1. ELECTRICAL:

- 1.1 VOLTAGE RATING: 125 VAC RMS;
- 1.2 CURRENT RATING: 1.5 AMP;
- 1.3 CONTACT RESISTANCE: 20 MILLIOHMS Max;
- 1.4 INSULATION RESISTANCE: 1000 MEGOHMS  
Min @500 VDC;
- 1.5 DIELECTRIC STRENGTH: 1000 VAC RMS 50  
or 60Hz 1 Minute;

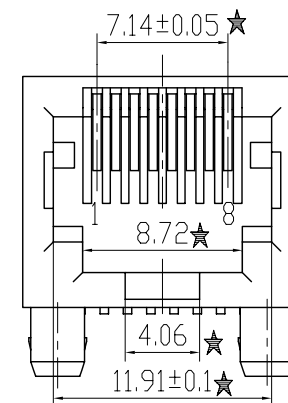
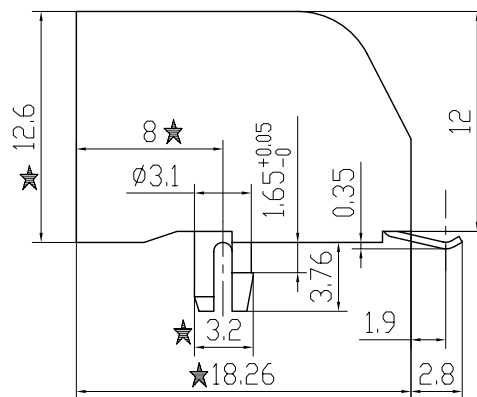
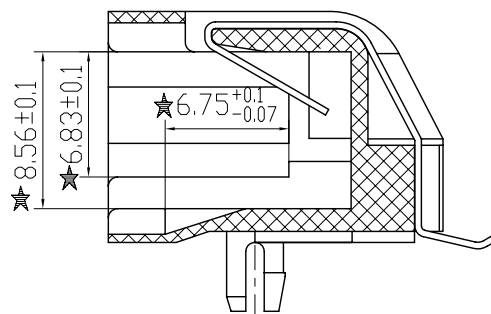
2. MECHANICAL:

- 2.1 HOUSING: PBT, UL94V-0, BLACK;
- 2.2 TERMINALS: T0.36xW0.46 PHOSPHOR BRONZE  
PLATED 3u' Au;
- 2.3 DURABILITY: 750 CYCLES Min.

3. ★Critical dimension.



A-A



RoHS Compliant

**Coorle Technology**

TOLERANCES

0~15±0.15,  
15~30±0.2,  
30~±0.25  
ANGLE±1°.

MATERIAL: SEE NOTE

Designed:

NAME: 5722 8P 无耳 SMT

FINISH: SEE NOTE

Checked:

DWG NO.: C07081306

REV

SHEET 1 OF 1

Approved:

PART NO.: RJ455722-88GF-014

00



SCALE  
2.5:1

UNIT  
mm

CUSTOMER:

MODEL NO.: